

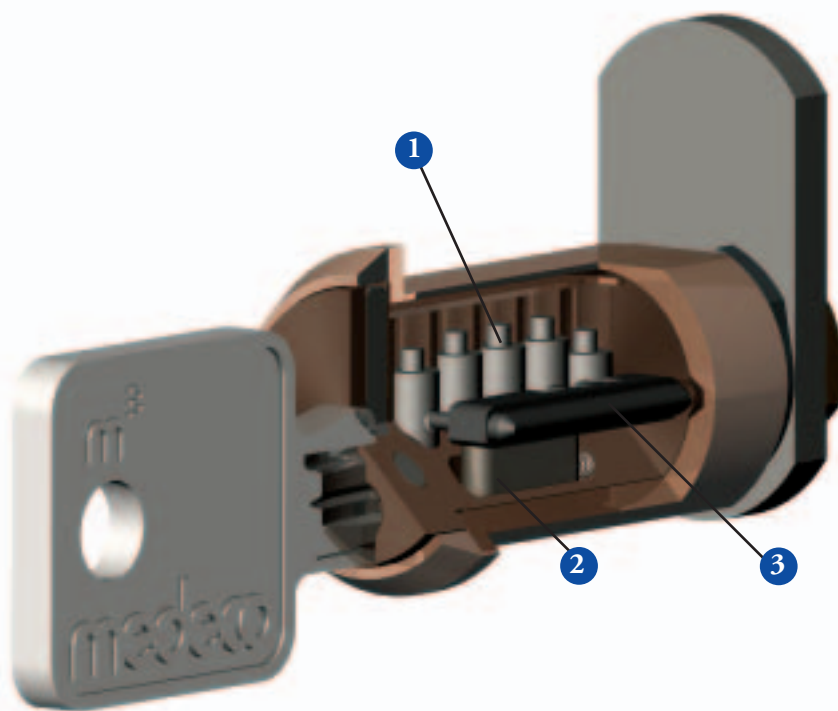
Medeco³® Technology

Medeco³ is the latest high security technology introduced by Medeco. The Medeco³ design incorporates an additional level of locking security in the form of a key activated slider mechanism. This slider mechanism provides an additional locking point by blocking the sidebar until an authorized key is inserted into the cylinder. This concept creates a three-point locking system within the cylinder preventing its operation until all three locking elements are properly aligned.

Benefits of Medeco³

- Thicker, stronger key designed to prevent breakage
- Improved pick resistance
- Expanded master key capability
- Improved torque strength

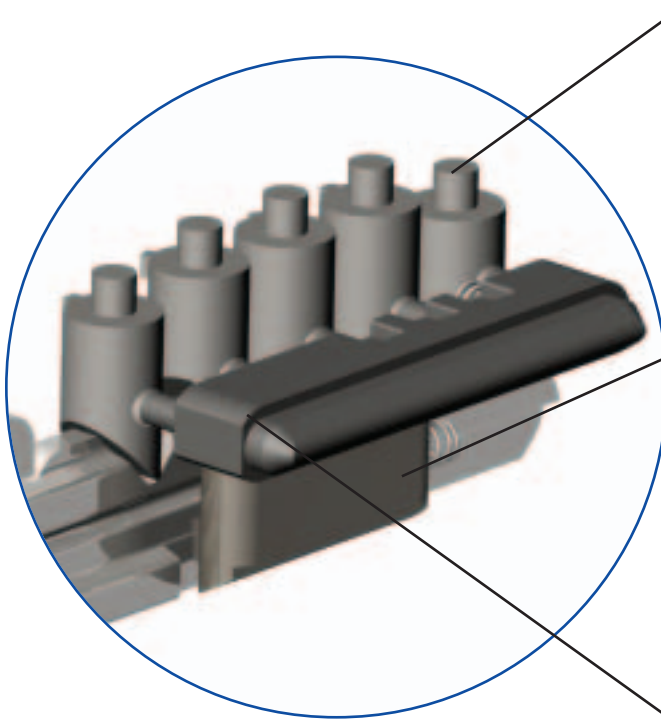
Three Locking Points



Item	Description
1	Tumbler pins
2	Slider
3	Sidebar

Medeco³® Technology

Three Distinctive Locking Points



Tumbler Pins

Each Medeco³ cylinder utilizes the unique Biaxial[®] pin tumbler system which requires elevation and rotation before unlocking can occur. Accurate positioning of the tumbler pins requires special angled key cuts not possible on standard key cutting equipment.

Slider

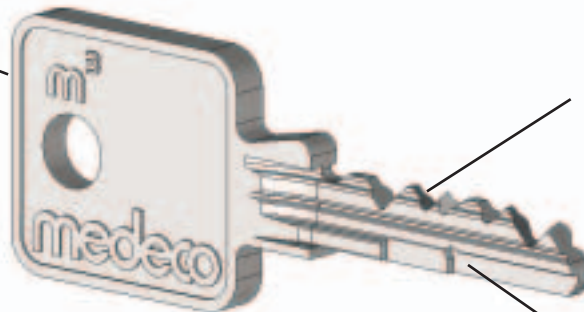
The Medeco³ slider must also be accurately positioned by the key before unlocking can occur. This position is controlled by a special side bitting on the key. The addition of the Medeco³ slider improves pick, drill, and resistance to other forms of physical attack. The slider also greatly enhances master pinning capabilities.

Sidebar

Once the tumbler pins and slider have been moved into precise position by the correct key, the sidebar is released and unlocking can occur.

Key Features

Thicker key provides added durability



Angled key cuts elevate and rotate the tumbler pins into position.

This special cut on the side of the key will push the slider into the correct alignment with the sidebar.